

Pren

**BISLEY**

# Contents

03	Introduction	26	Accessories
05	Why choose us?	29	Locking technology
09	Workspace essentials	30	Finishes
	A perfect combination		
	Purpose beyond storage		
	A systems approach to storage		
	Storage meets style		
	Good to know		
20	Range overview	32	Our commitments
	Two-door cupboards		
	Wardrobes		
	Lockers	32	Contact us

Introducing Pren, a collection of freestanding lockers, wardrobes, and cupboards that make specifying your entire storage system refreshingly simple.

Pren, which is the Welsh word for wood, tells the story of how proud we are of our heritage and of our independence, having been based in South Wales since 1988.

With purpose beyond storage, Pren's freestanding units act as zone dividers throughout the office, creating defined neighbourhoods wherever you need. Contra-facing units are available at multiple heights, maximising storage throughout, and additional including planter tops and sleek over-sailing panels add mood-boosting biophilia, or create an extended standing height work bench

Spanning warm wood-effect tones and solid colour finishes, Pren is available in a variety of laminates, matching LockerWall's broad palette, creating symmetry for your storage. And almost entirely made in-house, the lead times remain significantly shorter than average.

Pren's storage is designed to be entirely secure with a range of locking options. From smart, contactless RFID locking solutions, to the classic key or combination locks, you can relax and continue with your day, knowing your belongings are safely stored.

Pren - loceri a cypyrddau annibynnol.  
freestanding lockers, cupboards, and wardrobes.



# Why choose us?



## A greener Bisley

View the Bisley Green Guide to learn about our sustainability achievements and commitments.



Over 80 years of award-winning design expertise

Europe's leading manufacturer of steel storage with a state-of-the-art wood plant

15,000 products leave our South Wales factory every week

### Manufacturing excellence that's engineered around you.

We're proud to be a full manufacturer that really is Made in Britain - we manufacture all our own steel and wooden furniture in our South Wales factory and export worldwide.

We practice Lean Manufacturing, and have recently invested over £2m in machinery to ensure we are using the latest manufacturing processes and technologies, continually seeking to improve our products and designs.

Our knowledge and expertise is unrivalled and continues to grow. Our team is here to guide you through all the options - from dimensions and finishes, to putting together a precise design specification. Whatever the project requirement, we're on hand to ensure you achieve exactly what you want.

We create furniture that lasts a lifetime for our customers; made from the highest quality materials, using the latest innovative technologies and processes with minimum impact on our environment.

# Workspace essentials



## A perfect combination

Inspired by and designed to suite with our premium LockerWall range, Pren allows you to build upon your existing LockerWall installation, or complement it, without excess alterations and additional finishing panels.

You can even design your office space combining both Pren and LockerWall from the outset. Entirely freestanding, with a breadth of options, finishing touches and lock choices, Pren becomes an extension of LockerWall, integrating it throughout the office as space division, isolated storage zones and additional standing height work surfaces.

Both ranges share a laminate colour palette, with a choice of wood effect and neutral solid colours to bring warmth to your space. The palette has been designed to not only work seamlessly across Pren and LockerWall, but also offers contrasting finishes that work well together.

Pren works perfectly with LockerWall to maximise your space and storage requirements.



## Purpose beyond storage

Create zones and wayfinding throughout your office with Pren. The contra-facing design allows for dual-sided access, maximising usable storage space, while oversailing decorative tops keep joint lines to a minimum.

The lower height units are perfect for space division and give open-plan workplaces defined neighbourhoods. Separate focussed working zones from collaborative or breakout areas with Pren's additional fixtures – wooden planters which incorporate mood boosting biophilia, and sleek tops that double up as standing height worktops.

Wherever placed in the office, Pren fulfils your storage requirements while shaping dedicated working zones, maximising productivity within your workspace.





## A systems approach to storage

Pren makes specifying an entire floorplate surprisingly simple. The extensive range covers all aspects of workplace storage; from personal storage lockers and drawers, cupboards for filing and technology, or a place to hang your coat.

Your storage can support multiple possibilities in the workplace - the various height options are perfectly suited to form subtle space division in open plan environments.

Blending desirable workplace aesthetics with practical storage, Pren's clean design means there is no need to specify extra finishing panels; you can achieve an entire, uncomplicated, storage system, without compromising on cost.

All Pren units are 500mm deep, meaning any combination can be placed side-by-side or contra-facing. And with a variety of locking options available, your workforce can rest assured that their personal belongings are safely stowed throughout the working day.


### Storage meets style

Perfect your boardroom or meeting room with a contemporary credenza to create a focal point, with a place to store technology or guests' belongings.

Pair lower height cupboards and lockers and opt for an oversailing top to create a luxurious addition to a meeting space. Pren cupboards feature round, solid wood handles for a smart, subtle design.

The palette of soft wood effect textures and modern neutrals available for Pren complement any colour scheme, and will blend beautifully with your brand colours, whether you are designing a new space or simply upgrading your storage.



Download images 



## Extra information

- The entire Pren range shares the same 500mm depth, so lockers, wardrobes and cupboards can be neatly combined.
- Each unit includes full height finishing panels and a plinth meaning there's no need to specify additional materials. This also means that reconfiguration is easy should you choose to refresh your workspace, providing excellent value and longevity.
- Internal accessories, such as shelves with under shelf filing\* and coat rails are included. [Additional accessories](#) are available to order separately if you require them.
- Manufactured almost entirely at our factory in South Wales, keeping lead times to a minimum.
- The Pren range has a five-year guarantee.

\*available in cupboard units.

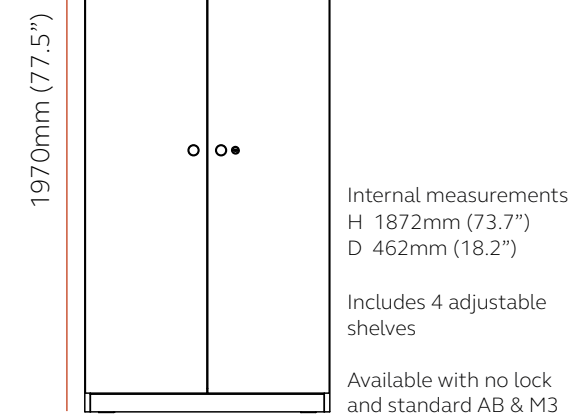
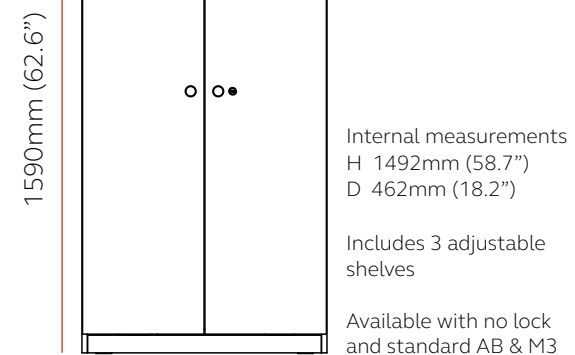
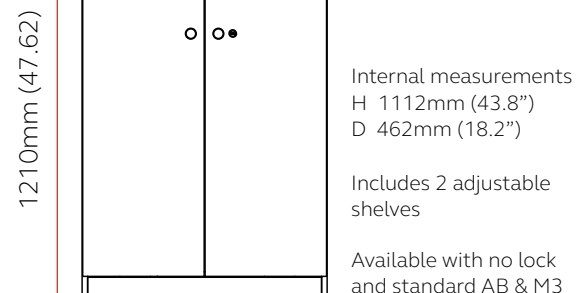
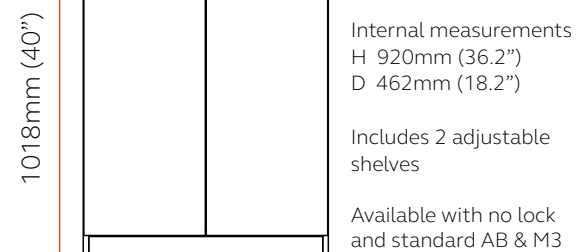
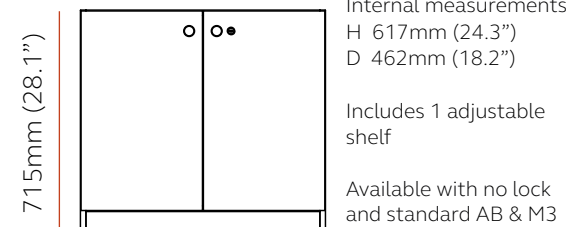
Download images



# Range overview

## Two-door cupboards

All cupboards are 462mm (18.2") deep.

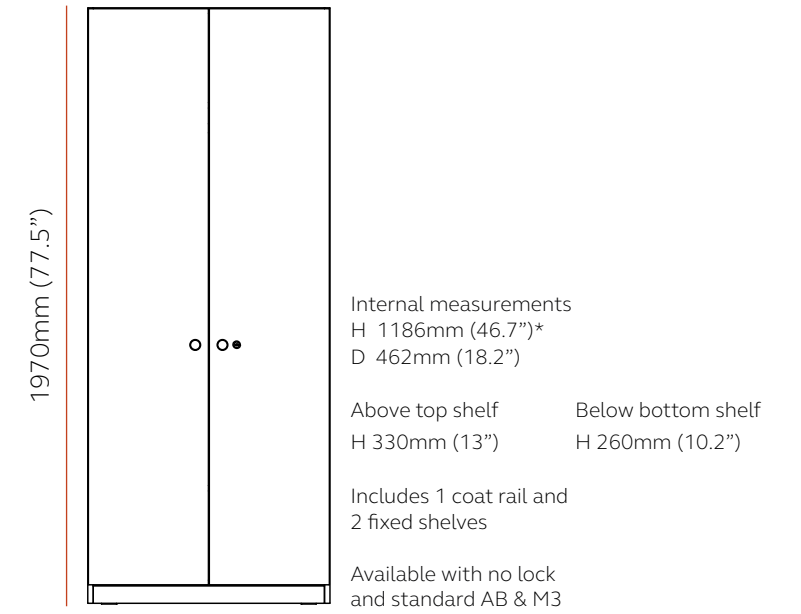
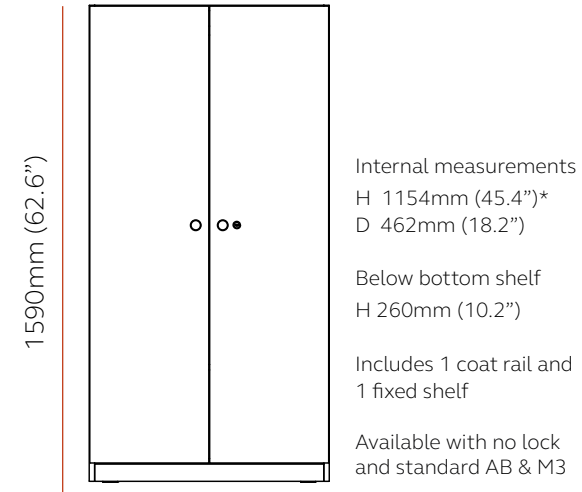
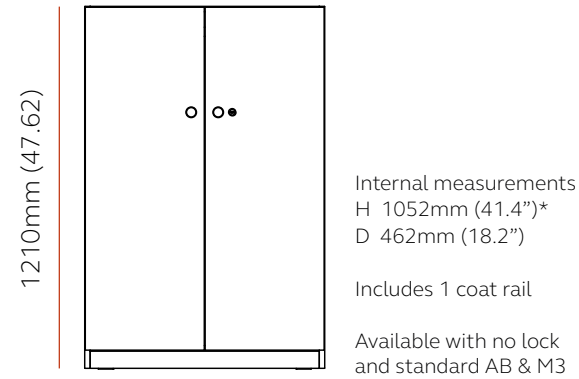
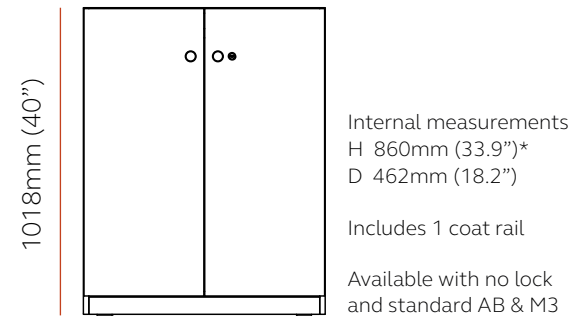


Available in 800mm (31.5") wide.  
Internal widths: 764mm (30")

Available in two widths: 800mm (31.5") & 1000mm (39.4")  
Internal widths: 764mm (30") & 964mm (37.9")

## Wardrobes

All wardrobes are 500mm (19.7") deep.

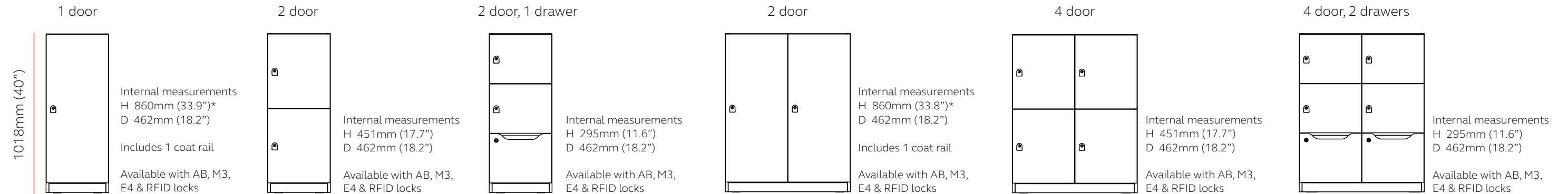


Available in two widths: 800mm (31.5") & 1000mm (39.4")  
Internal widths: 764mm (30") & 964mm (38")

\*From coat rail to bottom shelf.  
Line drawings are for illustrative purposes only.

## Lockers - 1018mm (40") high

All lockers are 500mm (19.7") deep.



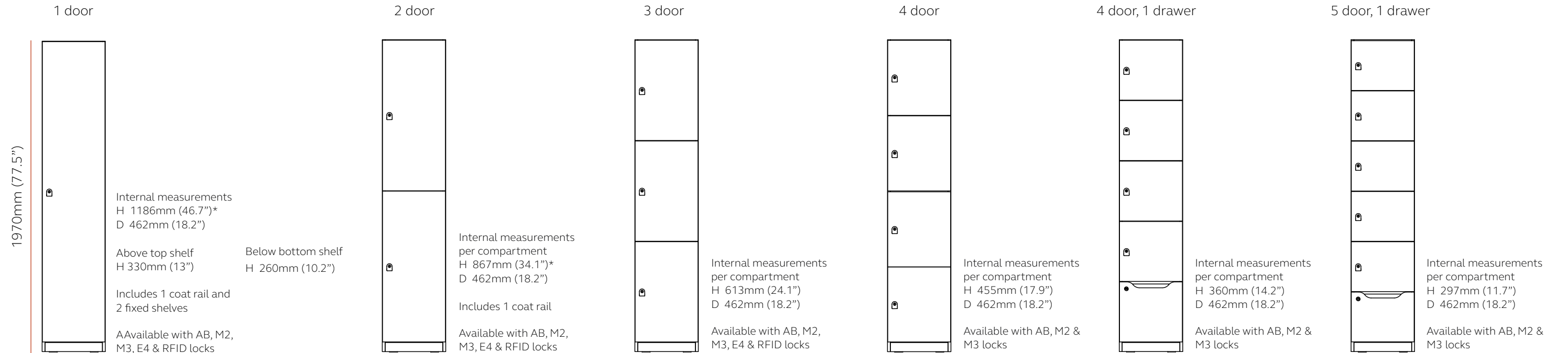
Available in 400mm (15.7") wide.  
Internal width: 364mm (14.3") per compartment

Available in 800mm (31.5") wide.  
Internal width: 364mm (14.3") per compartment

\*From coat rail to bottom shelf.  
Line drawings are for illustrative purposes only.

## Lockers - 1970mm (77.5") high

All lockers are 500mm (19.7") deep.



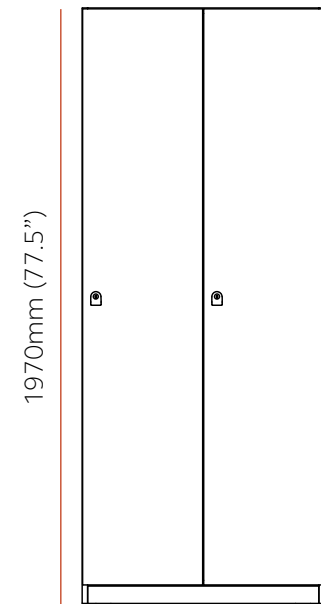
Available in 400mm (15.7") wide.  
Internal width: 364mm (14.3") per compartment

\*From coat rail to base of Locker.  
Line drawings are for illustrative purposes only.

## Lockers - 1970mm (77.5") high

All lockers are 500mm (19.7") deep.

2 door



Internal measurements  
H 1186mm (46.7")\*  
D 462mm (18.2")

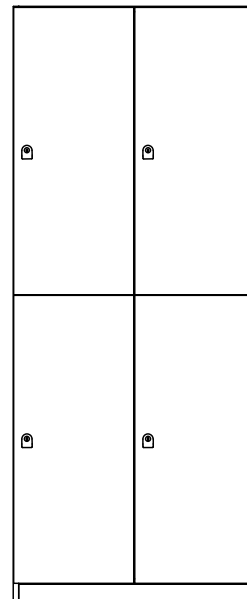
Above top shelf  
H 330mm (13")

Below bottom shelf  
H 260mm (10.2")

Includes 1 coat rail and  
2 fixed shelves

Available with AB, M2,  
M3, E4 & RFID locks

4 door

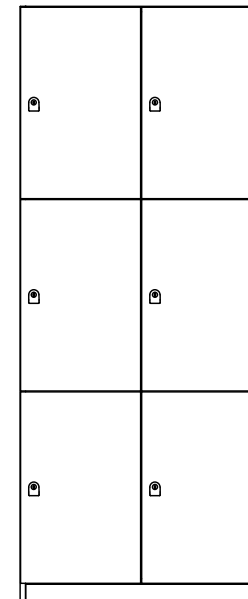


Internal measurements  
per compartment  
H 867mm (34.1")\*  
D 462mm (18.2")

Includes 1 coat rail

Available with AB, M2,  
M3, E4 & RFID locks

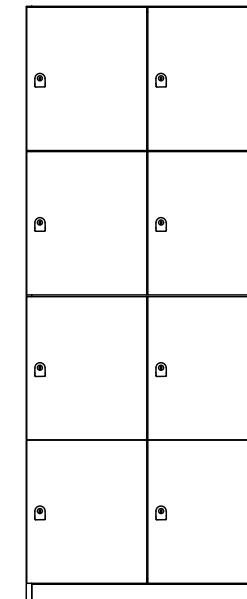
6 door



Internal measurements  
per compartment  
H 613mm (24.1")  
D 462mm (18.2")

Available with AB, M2,  
M3, E4 & RFID locks

8 door



Internal measurements  
per compartment  
H 455mm (17.9")  
D 462mm (18.2")

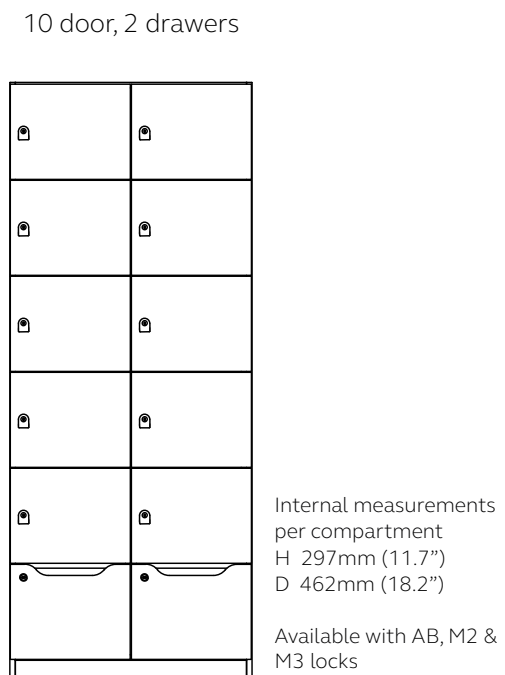
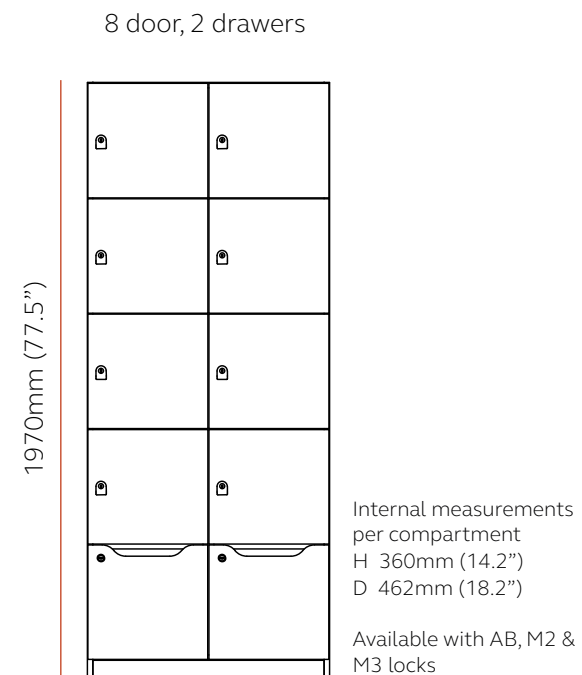
Available with AB, M2 &  
M3 locks

Available in 800mm (31.5") wide.  
Internal width: 364mm (14.3") per compartment

\*From coat rail to base of Locker.  
Line drawings are for illustrative purposes only.

## Lockers - 1970mm (77.5") high

All lockers are 500mm (19.7") deep.



Available in 800mm (31.5") wide.  
Internal width: 364mm (14.3") per compartment

Line drawings are for illustrative purposes only.



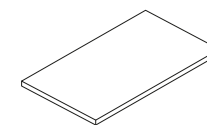
# Accessories

Additional laminate planters can be added to lower height units to introduce greenery and to subtly border different working zones. And oversailing tops can be applied to banks of units positioned together, minimising joint lines, while creating extra standing-height workspace.

## Internal shelves

MCF shelves for two-door cupboards are available in two widths: 362mm (14.3") & 371mm (14.6")

Steel shelves for Locker units are available in two widths: 800mm (31.5") & 1000mm (39.4")

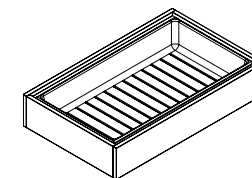


## MFC Decorative Tops - 500mm (19.7") & 1000mm (39.4") deep.

Available in 7 widths: 400mm (15.7"), 800mm (31.5"), 1000mm (39.4"), 1200mm (47.2"), 1600mm (63") 2000mm (78.7") & 2400mm (94.5")

## Planters

All planters are 145mm (5.7") high and 500mm (19.7") deep. They are available in four width: 400mm (15.7"), 800mm (31.5"), 1000mm (39.4") & 1200mm (47.2")



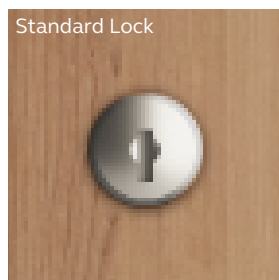




# Locking technology

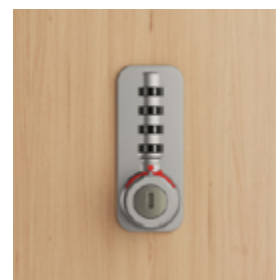
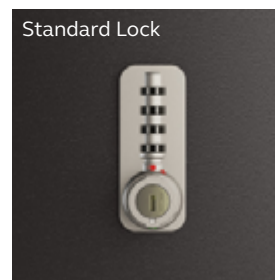
## AB Lock

AB locks are a great, cost-effective option if you are looking for a straightforward, secure solution with user keys, ideal for both assigned and shared lockers.



## Combination locks

Combination locks seamlessly integrate with many of our products while providing enhanced security and protection. With both shared and assigned user options, combination locks are a reliable, cost-effective solution for personal storage.



LEHMANN

LEHMANN



Digilock

## RFID locks

As personal storage solutions advance, the security element is following suit, and touch free, RFID locks are becoming increasingly popular for workspace installs as well as leisure and hospitality environments. Trading in lock and key entry for hassle free RFID access brings control and peace of mind to flexible workforces.



Digilock

We design and manufacture the highest quality storage solutions, but we also have the knowledge and expertise on hand to advise you on the best lock choice.

Our standard range of secure locking options for Pren gives all employees – whether permanent, mobile, or nomadic – a sense of peace of mind while in the office.

Whether you opt for a traditional key lock or a more advanced mechanical lock that can be programmed depending on the user, we work with a variety of the most trusted lock providers to meet even the most challenging privacy and security requirements of the modern workplace.

Specifying Pren alongside a LockerWall installation?

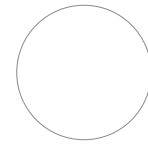
Rest assured your lock choice can be integrated across both products, meaning your entire storage solution can operate under one secure locking solution.

# Finishes

Pren gives you the scope to create an efficient, multipurpose storage system for your entire workspace. It can be specified in a variety of beautiful laminate finishes to bring warmth and softness to your office, and match seamlessly with your LockerWall installation and brand aesthetic.

## MFC finishes

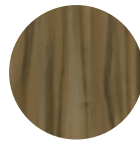
### Primary



Front White  
001



Verade Oak  
002



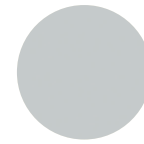
Tiepolo  
Walnut  
003



Bavaria Beech  
632

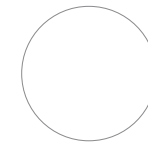


Maple  
014

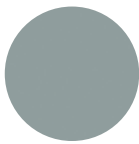


Stone Grey  
510

### Classic



Front White  
001



Fjorde Green  
638



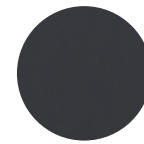
Dakar Grey  
639



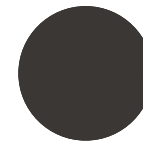
Pebble Grey  
630



Pearl Grey  
634



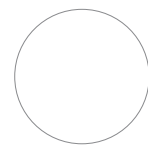
Carbon Grey  
635



Soft Black  
621

### Vision

(surcharges apply)



Platinum  
White  
562



Ellmau Beech  
016



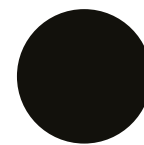
Natural Kendal  
Oak 018



Shorewood  
529



Natural Carini  
Walnut 645



Black  
574

### Performance (surcharges apply)



Petrol  
641



Oregon  
642



Fineline  
Mocca  
643



Natural  
Rockford  
Hickory  
644

### Handle finishes

Choose from 3 wooden handle finishes

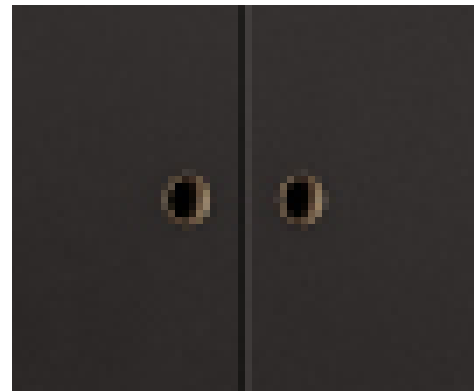


Light  
847

Medium  
807

Dark  
808

\*Only available on two-door cupboards  
and wardrobes.



Carcase

Optional finishing accessories  
e.g. decorative tops (shown)  
or planters. See page 26.

Back Panel

Door and drawer fronts

# Our commitments

100%

of wood materials used in manufacturing is FSC and PEFC compliant from sustainably managed sources.



As a proud British manufacturer, we take our responsibilities towards the environment very seriously, ensuring that sustainability runs through everything we do. Our dedicated sustainability team ensures that our facilities are as environmental as possible, while ensuring our products last and are sustainably sourced.

Bisley products are designed for functionality, durability, and a long service life. They are all tested rigorously to British and European harmonised standards for safety, strength and stability.

As for electricity, we source all of the electricity that powers our manufacturing activities through renewable energy tariff. We also participate in the Energy Savings Opportunity Scheme (ESOS), which has led to substantial investment in procurement and installation of energy efficient machinery and equipment.



Visit [bisley.com](http://bisley.com) to find out more, or contact your Bisley representative for more information on Pren.

Get in touch  
[www.bisley.com/get-in-touch](http://www.bisley.com/get-in-touch)

#### Head Office

Caswell Way,  
Reevesland Ind Est,  
Newport, South Wales  
NP19 4PW

+44 (0)1633 637 383

#### London

32 Dallington Street,  
London,  
EC1V 0BB

+44 (0)203 952 4000

#### Manchester

Calico Building,  
55 Mosely Street,  
Manchester,  
M2 3HQ

+44 (0)161 543 0850

#### France

Immeuble le Corosa  
1-3 rue Eugène  
et Armand Peugeot  
92500 Rueil Malmaison

+33 (0)1 41 39 97 20

#### North America

1140 Broadway  
Suite 902, New York  
New York  
10001

1-212-675-3055

#### Germany

Hauptsitz und Showroom  
Wiesenstraße 70 A3  
40549 Düsseldorf

+49 (0)211 87541 600

#### Bray

Bisley House  
IDA Bray Business Park,  
Southern Cross Road,  
Bray,  
Co. Wicklow,  
Ireland

00353 1 2769100

#### Dublin

Bridgewater Business  
Centre, Bridgewater Quay,  
Islandbridge,  
D08 T9NH

#### Dubai

Office 4501  
U-Bora Tower  
Marasi Drive  
Business Bay  
Dubai  
United Arab Emirates

00971 (4) 450 3747

#### Netherlands

Burg. Stekelenburgplein  
199  
Unit 2.4  
5041 SC  
Tilburg

+31 (0)13 590 10 03



**BISLEY**